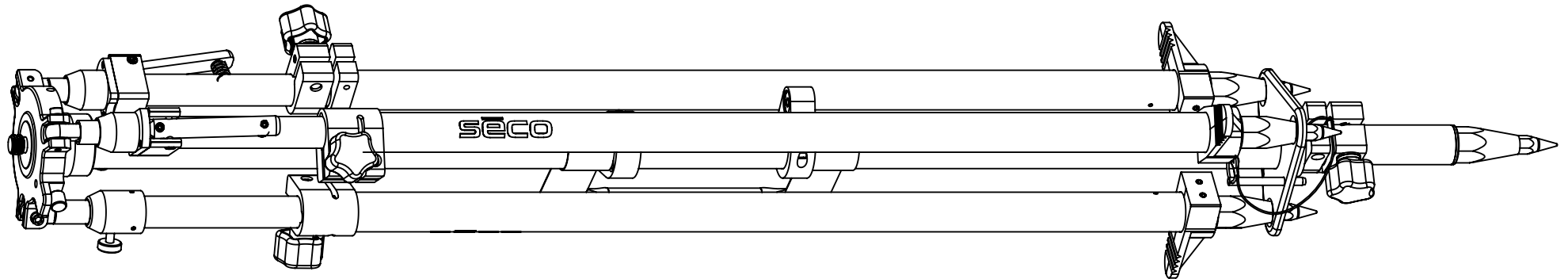


***NOTE**
Components may be sold separately.
Please see sub-assembly part number
drawing for details.



ITEM NO.	PartNo	DESCRIPTION	QTY
1	025TW	WASHER,NYLON,.265X.75X.025	6
2	1032X3/16SS	SCREW,SOCKET SET,10-32 X 3/16	3
3	2070-002	ADAPTER,PLUG,TRIBRACH	1
4	2070-003	SCREW,LOCK,TRIBRACH	1
5	2070-004	SPRING,LOCK TRIBRACH	1
6	440X1/4SC	SCREW,SOCKET CAP,4-40 X 1/4 LONG	1
7	440X3/8SC	SCREW,SOCKET CAP,4-40X3/8 LONG	5
8	5115-003	PLATE,END,TRIPOD,ANTENNA,GPS	1
9	5115-010	STRAP,TRIPOD,ANTENNA,GPS	1
10	5115-055	COMPASS ASSY,TRIPOD,ANTENNA,GPS	1
11	5115-057	CLEAT,1-1/4",GPS TRIPOD,KIT	3
12	5118-008	PIN,PULL,QUICK RELEASE,TRIPOD,GPS	1
13	5118-060	KIT,INNER,3/4",LEG,GPS TRIPOD	4
14	5118-061	KIT,INNER,1",THIRD LEG,GPS TRIPOD	1
15	5118-062-XXX	KIT,OUTER,1-1/4",LEG,GPS TRIPOD	3
16	5118-063	KIT,INNER,1",QR LEG,GPS TRIPOD	2
17	5118-064-XXX	OUTER ASSY,CENTER POLE,GPS TRIPOD	1
18	5118-065-XXX	LEG ASSY,THIRD,GPS TRIPOD,ADJ,P9403	1
19	5118-067-XXX	LEG ASSY,COMPLETE,GPS TRIPOD,ADJDP	2
20	5119-055	INNER ASSY,CENTER POLE,GPS TRIPOD	1
21	5119-056	VIAL HOLDER ASSY,8 MIN,1-1/2"	1
22	5194-05	POINT ASSY,HEX,SHARP	4
23	5210-022	SPRING,.421 X .062 X 7/8,COMP,SS	2
24	5213-002	GUIDE,STOP,BIPOD LEG,MCHENRY	1
25	5213-004	THUMBSCREW,MCHENRY,BRASS	1
26	5500-052	TL ASSY,1-1/4",SMKNOB	1
27	5500-053	TL ASSY,1",SMKNOB	2
28	5700-004	FRICTION PAD,3/4"	3
29	5700-009	GUIDE,STOP,LOCATOR,QR 1"	2
30	5700-052	BODY ASSY,CLAMP,QUICK RELEASE,1"	2
31	6X28MMSSHSS	SCREW,SOCKET CAP,M6X28LONG,SS	3
32	832X1/8SS	SCREW,SOCKET SET,8-32 X 1/8 LONG	3
33	L47B-600-2	LANYARD,6"X3/64,BARE,3/4 LOOP	1

***NOTE**

Components may be sold separately.
Please see sub-assembly part number
drawing for details.

-XXX	COLOR
-FLY	FLO-YELLOW
-YEL	YELLOW
-FOR	FLO-ORANGE

5119-00-XXX

TRIPOD,ANTENNA,GPS,ADJUSTABLE

DATE: 3/14/17

REV. B7

PAGE 2 OF 2

secco

REDDING: 800-824-4744

www.surveying.com