

***NOTE**
 Components may be sold separately.
 Please see sub-assembly part number
 drawing for details.

ITEM NO.	PartNo	DESCRIPTION	QTY
1	2153-02-001	LASER PLUMMET ASSEMBLY	1
2	S5-3MM55	SCREW,3MMX.5X5,SSD	2
3	S5-5001	TENSION PLATE	1
4	S5-5003	WAVE SPRING	1
5	S5-5005	PRESSURE PIECE	3
6	S5-6002-6	BACKING RING SET 1.6,1.8,2.0,2.2,2.4	1
7	S5-6007	TENSION NUT	1
8	S5-6008	CAP SCREW	3
9	S5-6010	KEEPER SCREW	3
10	S5-6014	PRESSURE SCREW	3
11	S5-Z1-XXX	BODY	1
12	S5-Z2-XXX	BASE PLATE	1
13	S5-Z3	LEVELING SCREW ASSEMBLY	3

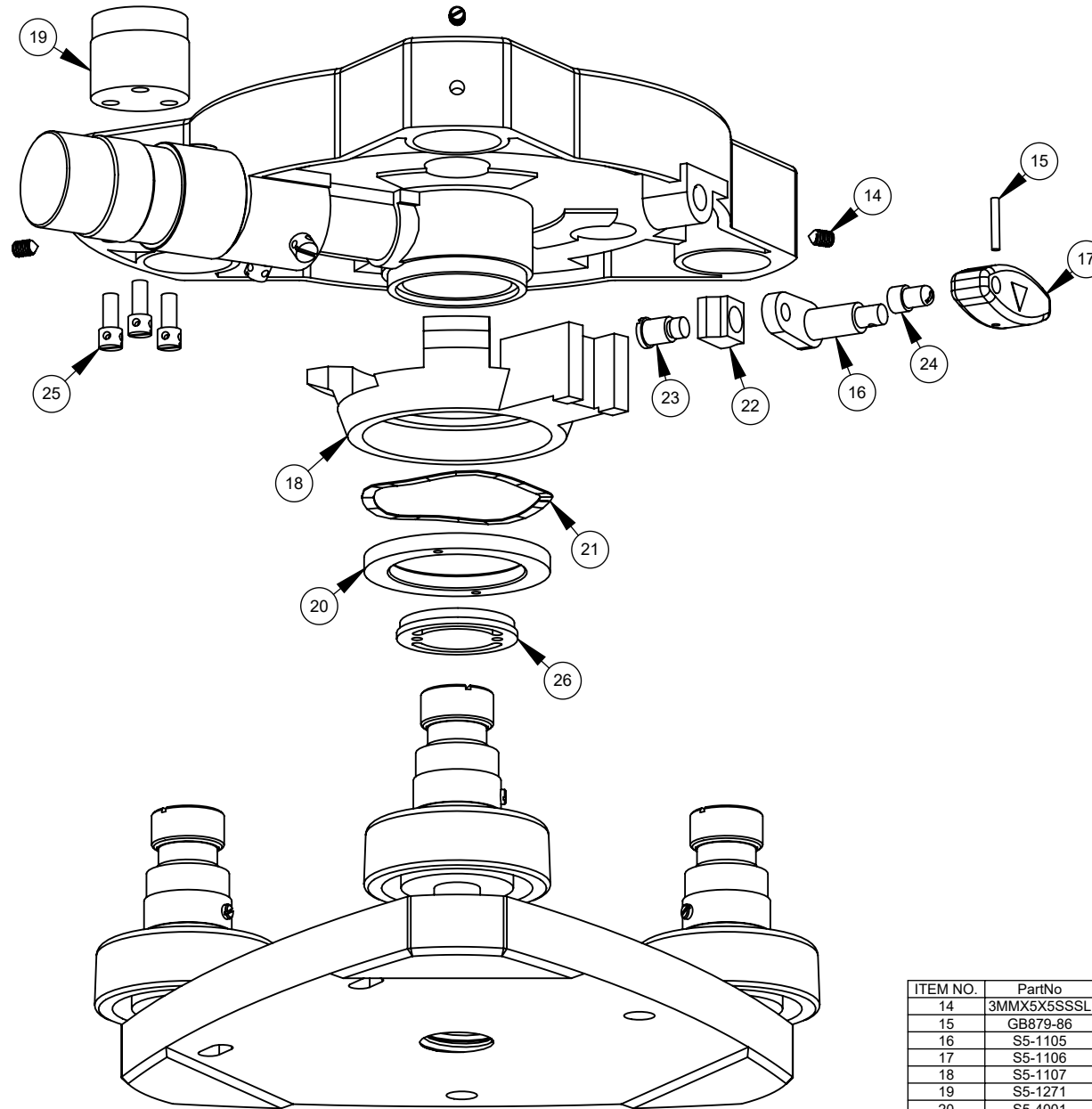
2153-02-BLK

TRIBRACH,LASER PLUMMET

DATE: 1/8/15
 REV. B

PAGE 1 OF 2

seco REDDING: 800-824-4744
 www.surveying.com



***NOTE**

Components may be sold separately.
Please see sub-assembly part number
drawing for details.

ITEM NO.	PartNo	DESCRIPTION	QTY
14	3MMX5X5SSSL	SCREW,ST,3MMX 5X5,SS,SLOTTED	3
15	GB879-86	PIN, SPLIT	1
16	S5-1105	AXLE ASSEMBLY	1
17	S5-1106	KNOB,LOCK,INDICATOR	1
18	S5-1107	LOCK RING ASSEMBLY	1
19	S5-1271	VIAL, CIRCULAR W/COVER	1
20	S5-4001	RING	1
21	S5-5007	WAVE SPRING	1
22	S5-6016	SLIDING PIECE	1
23	S5-6017	AXLE SCREW	1
24	S5-6019	SCREW, LOCK	1
25	S5-6021	ADJUSTING SCREW	3
26	S5-Z4	COVER GLASS ASSEMBLY	1

2153-02-BLK

TRIBRACH,LASER PLUMMET

DATE: 1/8/15

REV. B

PAGE 2 OF 2

seco

REDDING: 800-824-4744
www.surveying.com