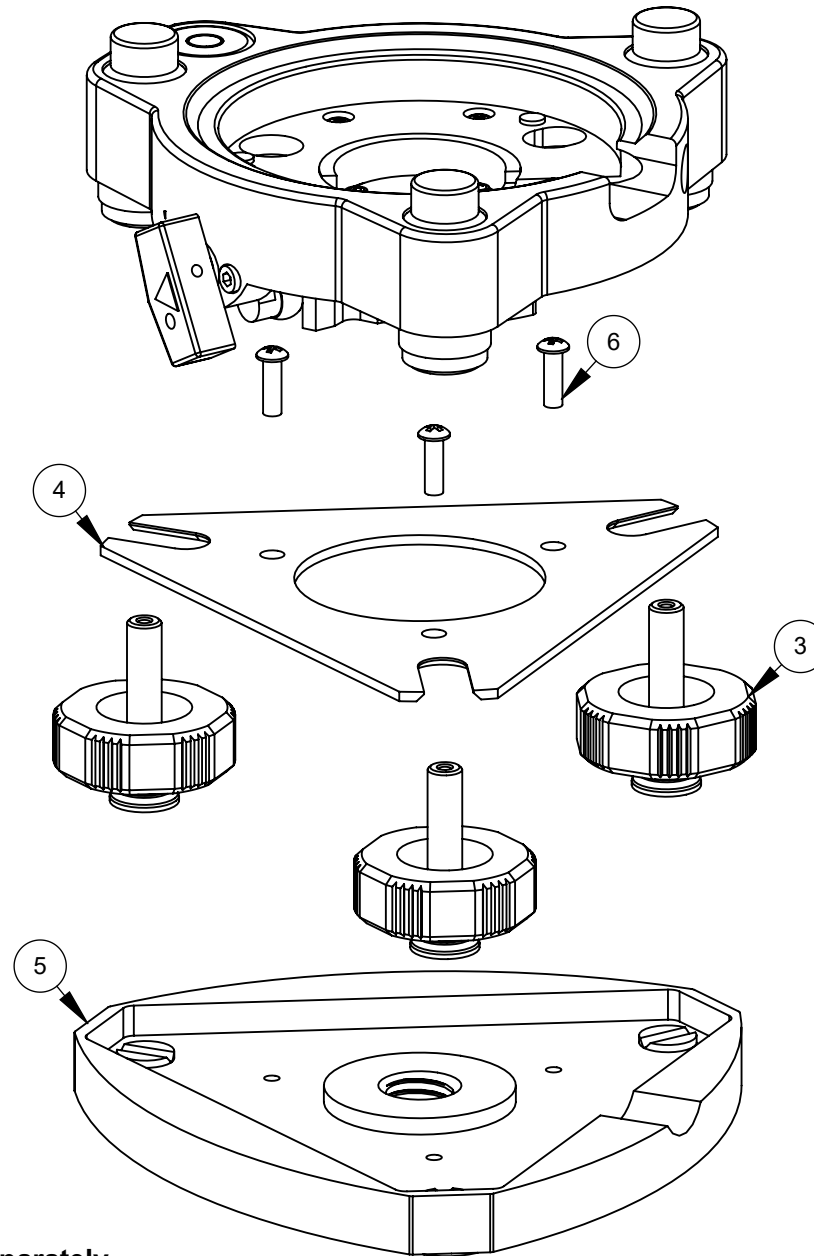


***NOTE**

Components may be sold separately.
Please see sub-assembly part number
drawing for details.



***NOTE**
 Components may be sold separately.
 Please see sub-assembly part number
 drawing for details.

ITEM NO.	PartNo	DESCRIPTION	QTY
1	2152-05-002	SCREW,KEEPER,M3X.5X3.5,BRASS	3
2	2152-05-003	SCREW, SOCKET CAP,M3X.5X6,SS	4
3	2152-05-026	SCREW, LEVELING	3
4	2152-05-027	TENSION PLATE	1
5	2152-05-028-BLK	BASE	1
6	2152-05-029	SCREW,M4X.7X12,SS,TENSION PLATE	3
7	2152-05-18BA	OPTICAL PLUMMET ASSY	1
8	2152-05-18BC	LOCKRING ASSY	1
9	2152-05-18BD	LOCKHANDLE ASSY	2
10	2152-05-18BD-P01-BLK	TRIBRACH BODY	1
11	2152-05-18BE	VIAL, CIRCULAR W/COVER	1
12	2152-05-18Z-BZ04	M3X8 CROSS TRAY BOLT	3
13	2152-05-18Z-M02	RING, RETAINING,M42 X .5	1
14	2152-05-18Z-P01	CAP, LEVELING SCREW	3

2152-05-BLK

TRIBRACH,W/OPTICAL PLUMMET,EU

DATE: 3/14/2014

REV. A

PAGE 2 OF 2

seco REDDING: 800-824-4744
 www.surveying.com