

***NOTE**

Components may be sold separately.
Please see sub-assembly part number
drawing for details.

ITEM NO.	PartNo	DESCRIPTION	QTY
1	2152-04-008	ADJUSTING SCREW,VIAL	3
2	2152-04-019	LOCK RING GROUP	1
3	2152-04-020	LOCKHANDLE GROUP	1
4	2152-04-021	CIRCULAR VIAL	1
5	2152-04-022	OPTICAL PLUMMET ASSEMBLY	2
6	2152-04-025-XXX	BODY,TRIBRACH	1
7	2152-04-029-XXX	COVER	1
8	2152-04-030	WAVE WASHER,30MM OD	1
9	2152-04-031	LOCKRING	1
10	2152-04-032	COVER,DUST LENS	1
11	2152-04-035	LEVELING SCREW CAP	3

2152-04-BLK

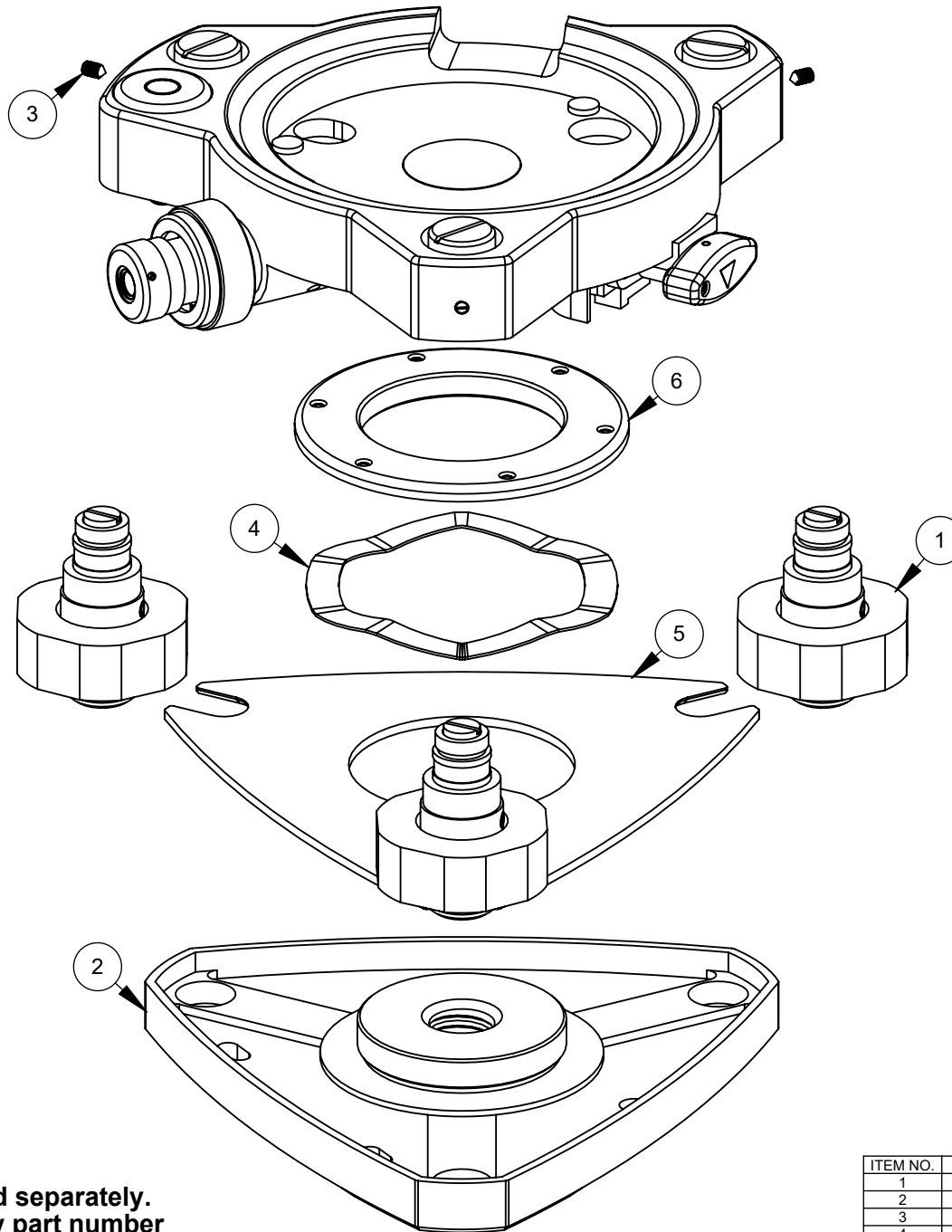
TRIBRACH,W/OPTICAL PLUMMET

DATE: 3/17/2014

REV. A

PAGE 1 OF 2

seco REDDING: 800-824-4744
www.surveying.com



***NOTE**

Components may be sold separately.
Please see sub-assembly part number
drawing for details.

ITEM NO.	PartNo	DESCRIPTION	QTY
1	2152-04-023	LEVELING SCREW ASSEMBLY	3
2	2152-04-024-XXX	BASE	1
3	2152-04-026	M3X5 CONESIDE SCREW	3
4	2152-04-027	WAVE WASHER, 63.8MM OD	1
5	2152-04-028	TENSION PLATE	1
6	2152-04-034	RING, TENSION ADJUSTING	1

2152-04-BLK

TRIBRACH, W/OPTICAL PLUMMET

DATE: 3/17/2014

REV. A

PAGE 2 OF 2

seco

REDDING: 800-824-4744
www.surveying.com