

GWCL60



Gebrauchsanweisung
User Manual
Mode d'emploi
Istruzioni d'uso
Instrucciones de uso
Gebruiksaanwijzing
Bruksanvisning
Veiledning
Käyttöohje
Yleisohje
Leiðbeiningar um notkun
Instruções de utilização
Οδηγία χρήσης
使用说明

GWCL60



- when it has to be **right**

Leica
Geosystems

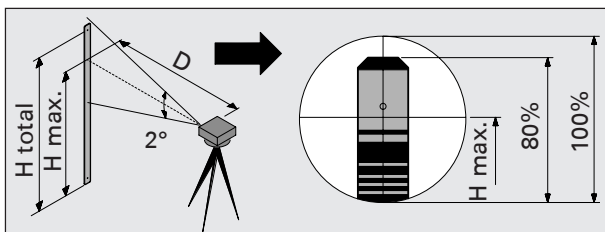
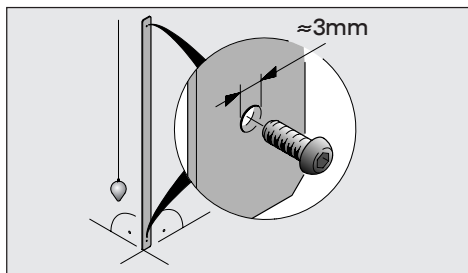
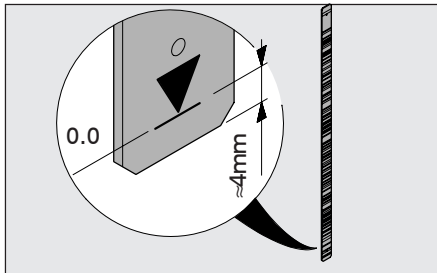
Type: _____

Serial No.: _____

de *Aufstellen*
en *Setup*
fr *Installer*
it *Installazione*
es

nl *Opstellen*
sv *Uppställning*
no *Oppsett*
fi *Asennus*
dk *Opstilling*

is *Uppsetning*
pt *Montagem*
el *Τοποθέτηση*
ja 設置

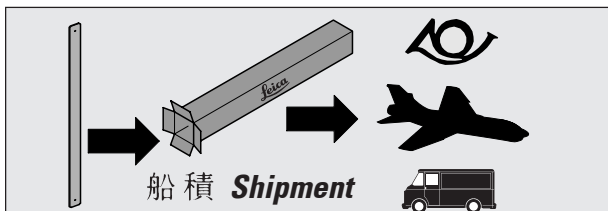
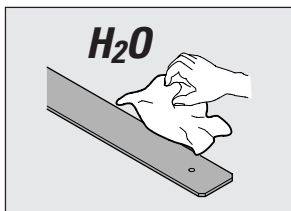


$$H \text{ max.} = H \text{ total} - 0.01 \cdot D$$

de *Pflege und Versand*
en *Care and shipment*
fr *Entretien et expédition*
it *Cura e spedizione*
es *Cuidado y expedición*

nl *Verzorging en verzend.*
sv *Skötsel och export*
no *Vedlikehold og forsend.*
fi *Huolto ja lähetys*
dk *Vedligeholdelse*

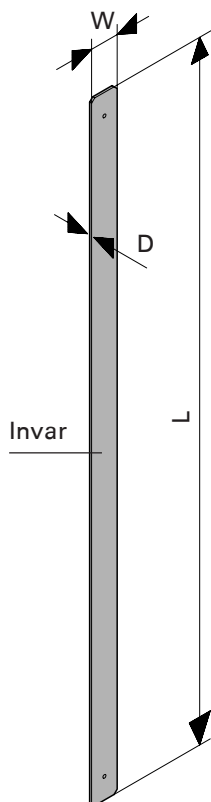
is *Hirðing og sending*
pt *Cuidados e envio*
el *Συντήρηση*
ja 客サービス と 発送


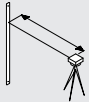
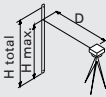
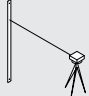
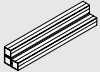


de Technische Daten
en Technical data
fr Données techniques
it Specifiche tecniche
es Datos técnicos

nl Technische specificaties
sv Tekniska data
no Tekniske data
fi Tekniset tiedot
dk Tekniske data

is Tæknilegar upplýsingar
pt Dados técnicos
el Τεχνικά στοιχεία
ja 技術仕様



	GWCL60
L	600mm
W	25mm
D	1.5mm
	0.175kg
α_T	<1ppm/°C
ΔL (DIN18717)	$\pm (0.02\text{mm} + L \cdot 2 \cdot 10^{-5})$
	1.80m-20m
	$H_{\text{max.}} = H_{\text{total}} - 0.01 \cdot D$
	-20°C - +50°C
	-40°C - +70°C

**Leica Geosystems AG,
Heerbrugg, Switzerland, has
been certified as being
equipped with a quality system
which meets the International
Standards of Quality Manage-
ment and Quality Systems (ISO
standard 9001) and Environmen-
tal Management Systems
(ISO standard 14001).**



**Total Quality Management-
Our commitment to total
customer satisfaction**

*Ask your local Leica
Geosystems agent for more
information about our TQM
program*

- when it has to be **right**

Leica
Geosystems

*Leica Geosystems AG
CH-9435 Heerbrugg
(Switzerland)*

Phone +41 71 727 31 31

Fax +41 71 727 46 73

www.leica-geosystems.com

664910-2.1.0

Printed in Germany - Copyright Leica Geosystems AG, Heerbrugg, Switzerland 2007